

NPP-4840-N-100PECD

48x40 (Standard) Plastic Industrial Pallet



Technical Data

Dimensions 48x40x5.2 inches (1219x1016x132 mm)
Weight 14.0 lbs

Load Capacities

Static 3500 lbs
Dynamic 2200 lbs
Racking --

Entry 4-way
Truckload Qty 2340
Stack TL 78

TL (truckload) quantities are approximate and may vary by transport equipment or other factors.

Handling Data

Nestable Yes	Reusability One-Way	ISPM-15 Exempt Yes
Stackable No	Destination Export	Food Grade Yes, non-FDA
Rackable No	Airfreight Yes	Pharmaceutical Yes

Materials and Colors

Condition
New

Material HDPE/PP (Recycled) HDPE/PP (Virgin*)	Color Black Gray/Custom*
------------------------------------------------------------	---------------------------------------

(High-Density Polyethylene/Polypropylene)

*Custom colors and markings available in virgin material.
(Minimum quantities required.)

Deck Specs

Top Deck
Closed

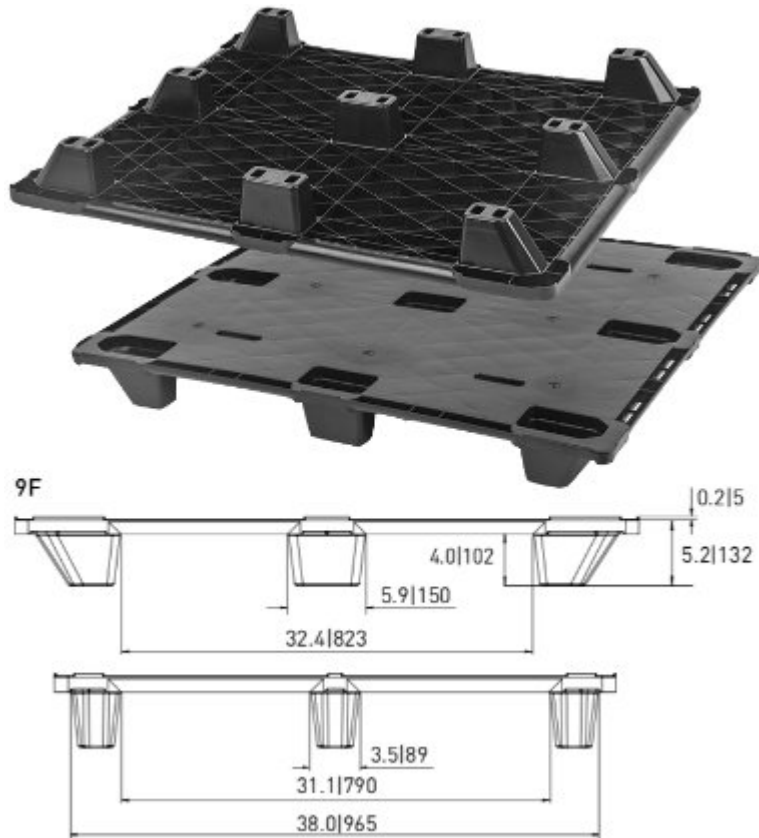
Bottom Deck
9 Feet - Nesting

Available Options:

No skids (open) = CPP100
No skids (closed) = NPP-4840-N-100#CD
3 Runner snap-on skids* (open) = CPP103
3 Runner snap-on skids* (closed) = NPP-4840-3R-100#CD
*Order with skids off for lower shipping

Features

- Lightweight and low height
- Nesting saves storage & shipping costs
- Low-cost Plastic Pallet
- Easy-to-clean hygienic design
- Suitable for packaged food items
(not approved for direct food contact)
- Impervious to acids, fats, solvents and odors
- Resists water absorption & bacteria growth
- Inert to infestation, mold and mildew
- Consistently dimensionally accurate
- Exempt from ISPM 15 shipping regulations



Nelson™

The Nelson Company

(443) 649-5294

plastic@NelsonCompany.com

www.NelsonCompany.com

www.NelsonTechCenter.com

Spec Sheet Generated On: 5/11/2024

Specs subject to change without notice. Provided for informational purposes only. Technical data are guideline values and may vary based on intended use, features, raw materials and environment. Nothing shall be construed as warranties or guarantees, express or implied, regarding products or their use, application, performance or otherwise.