

# TE-4840-N-TDC1

## 48x40 (Standard) Plastic Industrial Pallet



### Technical Data

Dimensions 48x40x5.25 inches  
Weight 13.5 lbs

#### Load Capacities

Static 4400 lbs  
Dynamic 2200 lbs  
Racking --

Entry 4-way  
Truckload Qty 1800  
Stack TL 50

TL (truckload) quantities are approximate and may vary by transport equipment or other factors.

### Handling Data

**Nestable**  
Yes

**Reusability**  
One-Way & Multi-Trip

**ISPM-15 Exempt**  
Yes

**Stackable**  
No

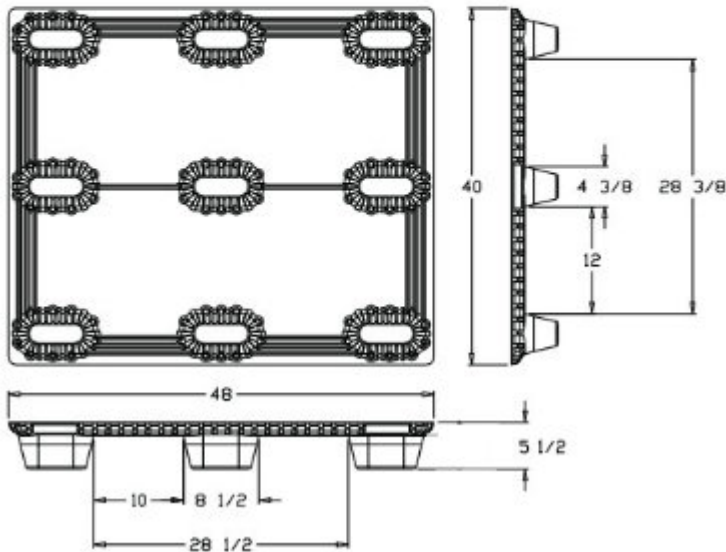
**Destination**  
Export & Captive

**Food Grade**  
Yes, non-FDA

**Rackable**  
No

**Airfreight**  
Yes

**Pharmaceutical**  
Yes



### Materials and Colors

**Condition**  
New

**Material**  
HDPE (Recycled)

**Color**  
Black

(High-Density Polyethylene)

### Deck Specs

**Top Deck**  
Closed

**Bottom Deck**  
9 Feet - Nesting

### Features

- Nesting saves storage & shipping costs
- Easy-to-clean hygienic design
- Suitable for packaged food items  
(not approved for direct food contact)
- Impervious to acids, fats, solvents and odors
- Resists water absorption & bacteria growth
- Inert to infestation, mold and mildew
- Consistently dimensionally accurate
- Exempt from ISPM 15 shipping regulations

**Nelson**<sup>TM</sup>

The Nelson Company

(443) 649-5294

[plastic@NelsonCompany.com](mailto:plastic@NelsonCompany.com)

[www.NelsonCompany.com](http://www.NelsonCompany.com)

[www.NelsonTechCenter.com](http://www.NelsonTechCenter.com)