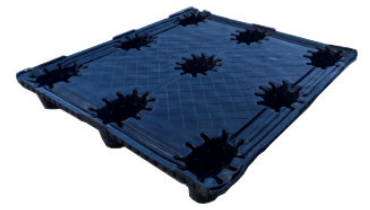


UP-4842-N-TDC4

48x42 (Standard) Plastic Industrial Pallet



Technical Data

Dimensions 48x42x6.5 inches
Weight 22 lbs

Load Capacities

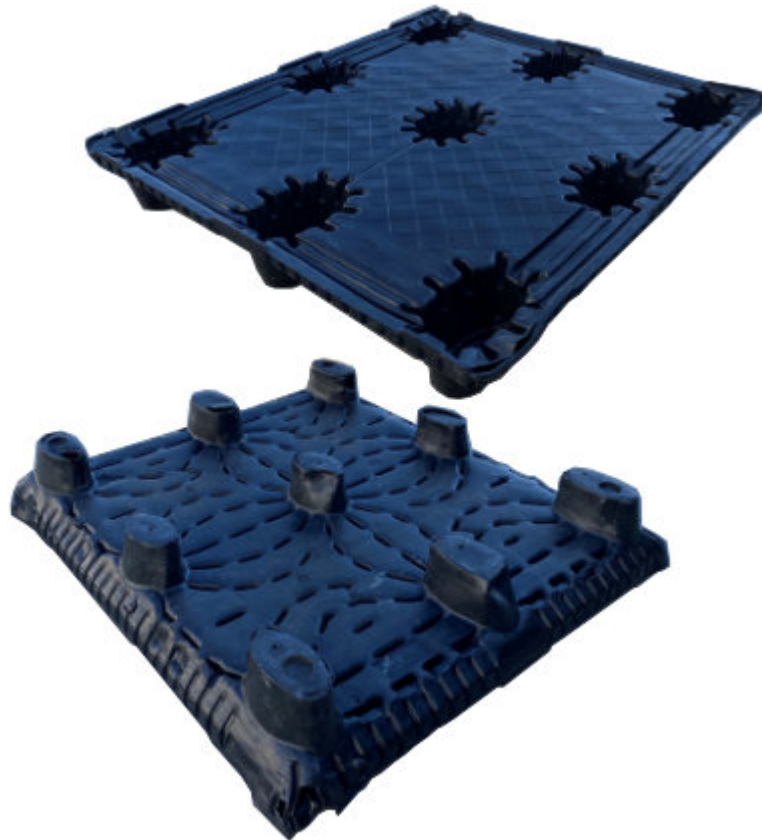
Static 6500 lbs
Dynamic 2500 lbs
Racking --

Entry 4-way
Truckload Qty 1080
Stack TL 36

Load capacities for used pallets may be unavailable or may have changed since issued. Unit load Sample Tests (ST) are recommended to confirm successful use with specific applications and equipment. TL (truckload) quantities are approximate and may vary by transport equipment or other factors.

Handling Data

Nestable Yes	Reusability One-Way & Multi-Trip	ISPM-15 Exempt Yes
Stackable No	Destination Export & Captive	Food Grade Yes, non-FDA
Rackable No	Airfreight Yes	Pharmaceutical Yes



Materials and Colors

Condition
Used

Material
HDPE (Recycled)

Color
Varies

(High-Density Polyethylene)

Colors and manufacturers vary and orders may be mixed. To avoid return freight charges ask your Sales Rep about special requests. All used pallets have been inspected and cleaned. Pallets may have limited cosmetic damage, but all are structurally sound.

Deck Specs

Top Deck
Closed

Bottom Deck
9 Feet - Nesting

Features

- Nesting saves storage & shipping costs
- Low-cost Plastic Pallet
- Easy-to-clean hygienic design
- Suitable for packaged food items
(not approved for direct food contact)
- Impervious to acids, fats, solvents and odors
- Resists water absorption & bacteria growth
- Inert to infestation, mold and mildew
- Consistently dimensionally accurate
- Exempt from ISPM 15 shipping regulations

NelsonTM

The Nelson Company

(443) 649-5294

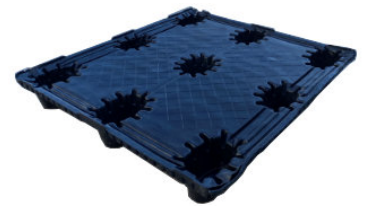
plastic@NelsonCompany.com

www.NelsonCompany.com

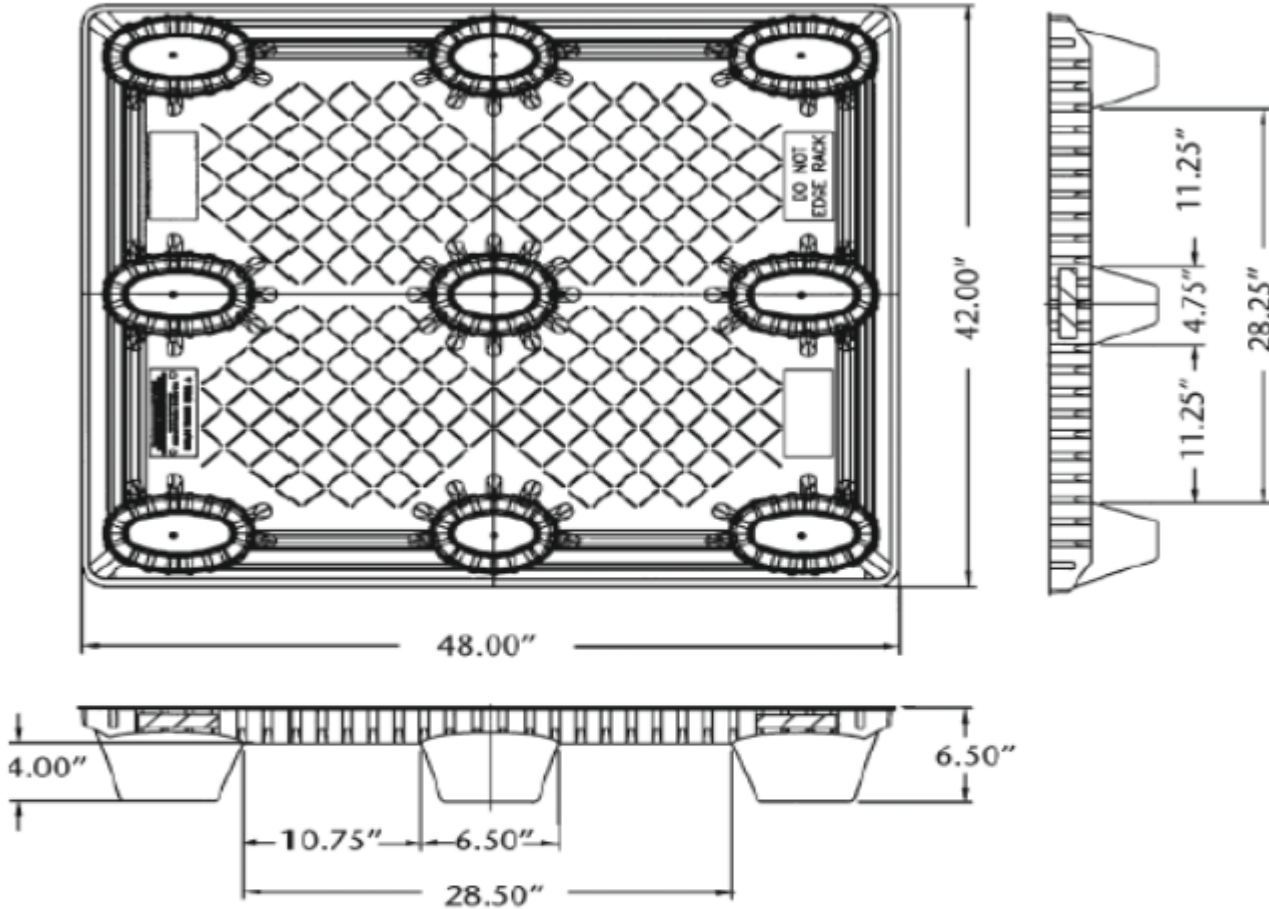
www.NelsonTechCenter.com

UP-4842-N-TDC4

48x42 (Standard)
Plastic Industrial Pallet



Technical Drawings



NelsonTM

The Nelson Company

(443) 649-5294

plastic@NelsonCompany.com

www.NelsonCompany.com

www.NelsonTechCenter.com