

TE-4840-N-TDOW

48x40 (Standard) Plastic Industrial Pallet



Technical Data

Dimensions 48x40x5.25 inches
Weight 11.5 lbs

Load Capacities

Static 9000 lbs
Dynamic 2200 lbs
Racking --

Entry 4-way
Truckload Qty 1920
Stack TL 64

TL (truckload) quantities are approximate and may vary by transport equipment or other factors.

Handling Data

Nestable
Yes

Reusability
One-Way & Multi-Trip

ISPM-15 Exempt
Yes

Stackable
No

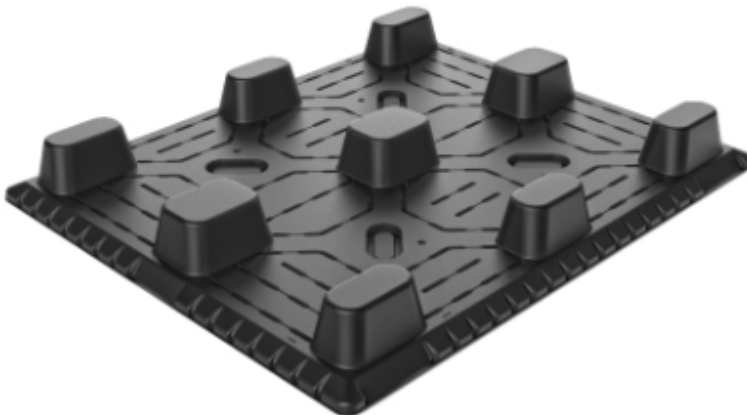
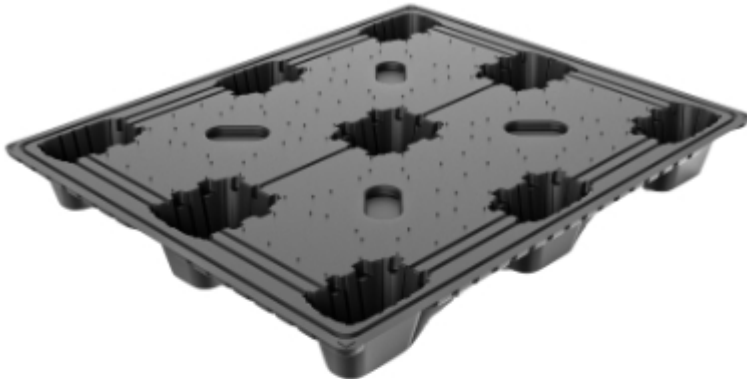
Destination
Export & Captive

Food Grade
Yes, non-FDA

Rackable
No

Airfreight
Yes

Pharmaceutical
Yes



Materials and Colors

Condition
New

Material
HDPE (Recycled)

Color
Black

(High-Density Polyethylene)

Deck Specs

Top Deck
Closed

Bottom Deck
9 Feet - Nesting

Features

- Thermoformed Twin Sheet Construction
- Impact Absorbing TriMax™ design for added stiffness and durability
- Lightweight for better ergonomics
- Oval leg design minimizes damage caused by fork-tines
- Nesting saves storage & shipping costs
- Easy-to-clean hygienic design
- Suitable for packaged food items
(not approved for direct food contact)
- Impervious to acids, fats, solvents and odors
- Resists water absorption & bacteria growth
- Inert to infestation, mold and mildew
- Consistently dimensionally accurate
- Exempt from ISPM 15 shipping regulations

Nelson™

The Nelson Company

(443) 649-5294

plastic@NelsonCompany.com

www.NelsonCompany.com

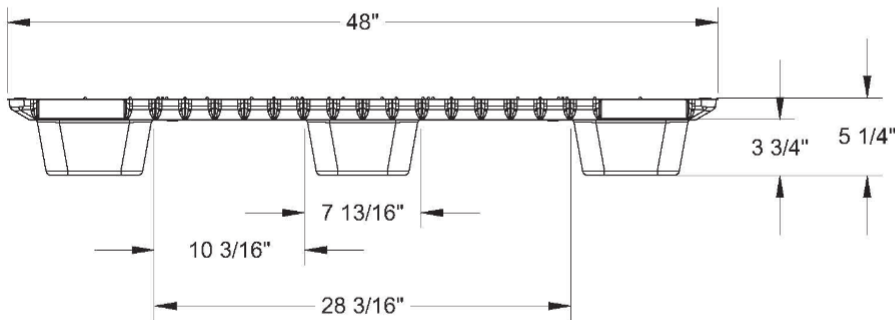
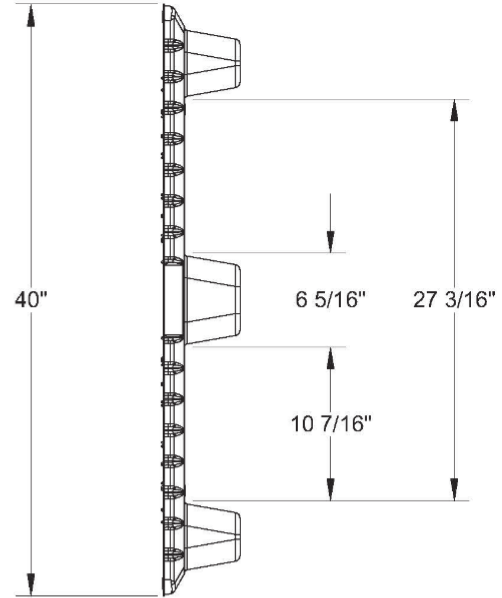
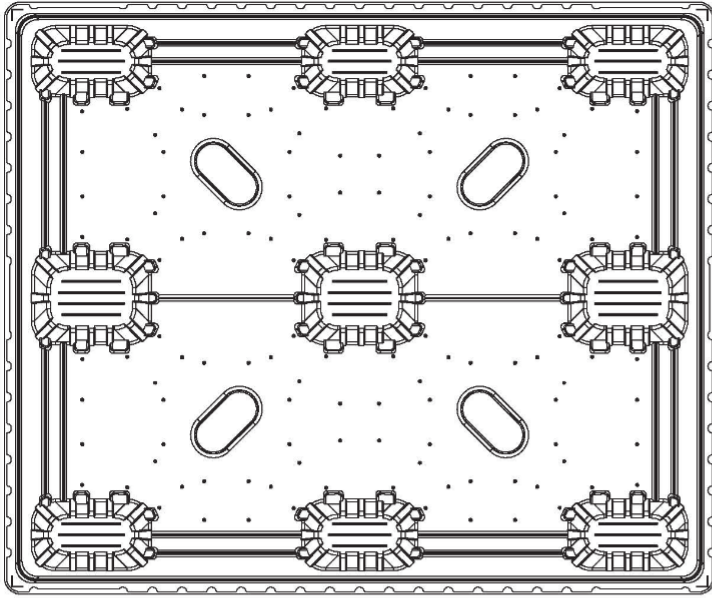
www.NelsonTechCenter.com

TE-4840-N-TDOW

48x40 (Standard)
Plastic Industrial Pallet



Technical Drawings



NelsonTM

The Nelson Company

(443) 649-5294

plastic@NelsonCompany.com

www.NelsonCompany.com

www.NelsonTechCenter.com