

PG-4832-N-805

48x32 (Euro) Plastic Industrial Pallet



Technical Data

Dimensions 47.2x31.5x5.1 inches (1200x800x130 mm)
Weight 10 lbs

Load Capacities

Static 3968 lbs
Dynamic 1984 lbs
Racking --

Entry 4-way
Truckload Qty 3002
Stack TL 79

TL (truckload) quantities are approximate and may vary by transport equipment or other factors.

Handling Data

Nestable
Yes

Reusability
One-Way & Multi-Trip

ISPM-15 Exempt
Yes

Stackable
No

Destination
Captive & Export

Food Grade
Yes, non-FDA

Rackable
No

Airfreight
Yes

Pharmaceutical
Yes

Materials and Colors

Condition
New

Material
HDPE/PP (Recycled)
HDPE/PP (Virgin*)

Color
Black
Gray/Custom*

(High-Density Polyethylene/Polypropylene)

*Custom colors and markings available in virgin material.
(Minimum quantities required.)

Deck Specs

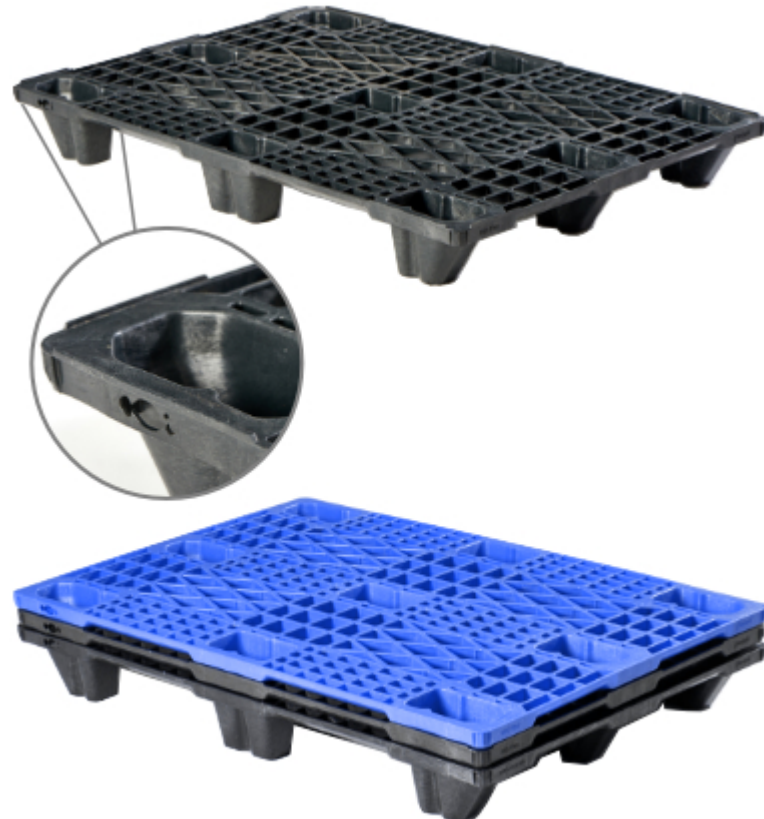
Top Deck
Open

Bottom Deck
9 Feet - Nesting

Available Options:
PG-4832-3R-8053R - 3 Runners
PG-4832-N-805CD - Closed Deck
Intermittent deck rim, full rim or no rim

Features

- Available in virgin materials (blue)
- Designed to easily secure wrapping
- Standard size used across EU
- Design is popular in rail freight applications
- Nesting saves storage & shipping costs
- Low-cost Plastic Pallet
- Easy-to-clean hygienic design
- Suitable for packaged food items
(not approved for direct food contact)
- Impervious to acids, fats, solvents and odors
- Resists water absorption & bacteria growth
- Inert to infestation, mold and mildew
- Consistently dimensionally accurate
- Exempt from ISPM 15 shipping regulations



NelsonTM

The Nelson Company

(443) 649-5294

plastic@NelsonCompany.com

www.NelsonCompany.com

www.NelsonTechCenter.com

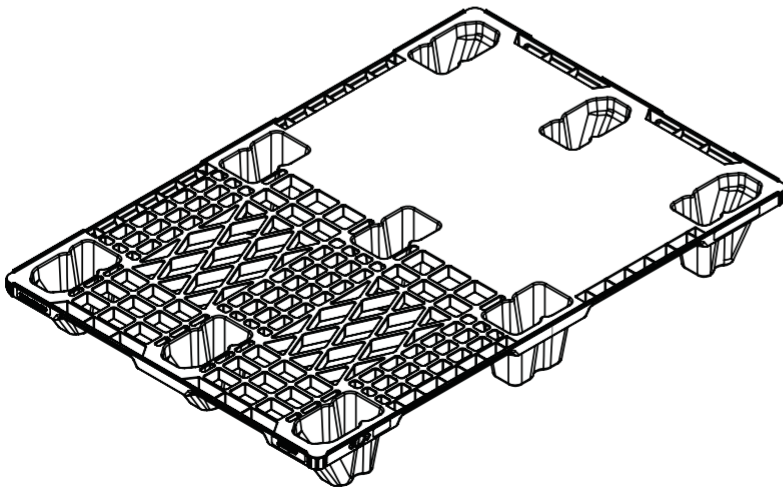
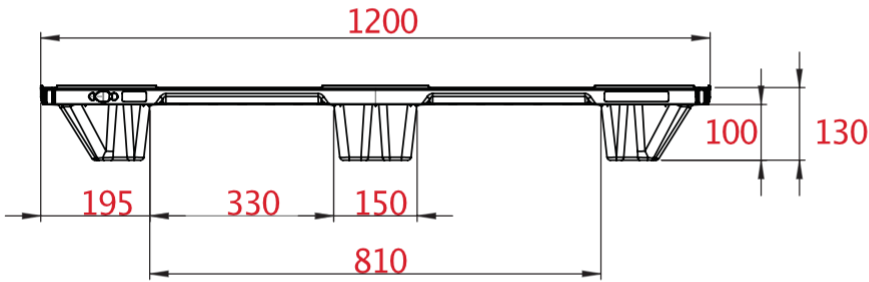
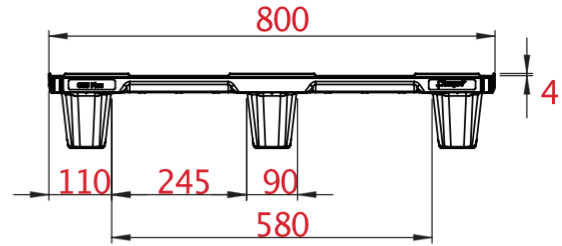
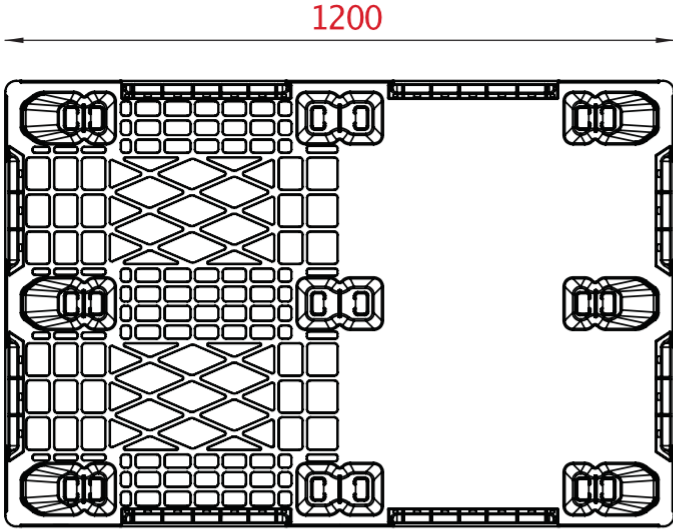
PG-4832-N-805

48x32 (Euro)

Plastic Industrial Pallet



Technical Drawings



NelsonTM

The Nelson Company

(443) 649-5294

plastic@NelsonCompany.com

www.NelsonCompany.com

www.NelsonTechCenter.com