

# CPP 200

## 32" x 24" Half Pallet



# Send & Forget

### Technical Data:

#### CPP 200 ACM - Medium-Duty

Load Capacity* <sup>1</sup>		Dimensions* <sup>2</sup>	32" x 24" x 5.1"
Static	5500 lbs	Weight* <sup>2</sup>	9.0 lbs
Dynamic	2200 lbs	Material	ACM, recycled material
Racking	—	Color	black
		Bottom Support	6 feet
		Entry	4-way
		Safety Rim	0.2" optional
		Nesting Height	2.2"

\*<sup>1</sup> Guideline values are based both on experience and parts of test ISO 8611, which tests with evenly distributed loads at room temperature of 68°F (20°C). Varying data may result from different conditions of usage. Your specific requirements can be identified upon request. \*<sup>2</sup> The pallet dimensions and weight are variable.



### One-Way - ACM

#### Nestable half pallet for export

- > Cost effective
- > Light weight and low height
- > Excellently suited for air cargo
- > Reduces freight costs by volume  
31 pallets = 6 feet height
- > Easy and safe to handle
- > Resistant to insects, bacteria and fungi
- > Conforms to ISPM 15 regulation
- > Environmentally friendly product of 100% recycled plastic, completely recyclable

#### > Options

Individual marking\*<sup>3</sup>

\*<sup>3</sup> minimum quantity required

#### > Additional Material Versions

Multi-trip pallet made of  
PE virgin material and PE recycled material

We reserve the right to change any of the stated information without prior notice.



## CABKA

Distributor:

**The Nelson Company**

phone +1 410. 477. 3000, x. 118

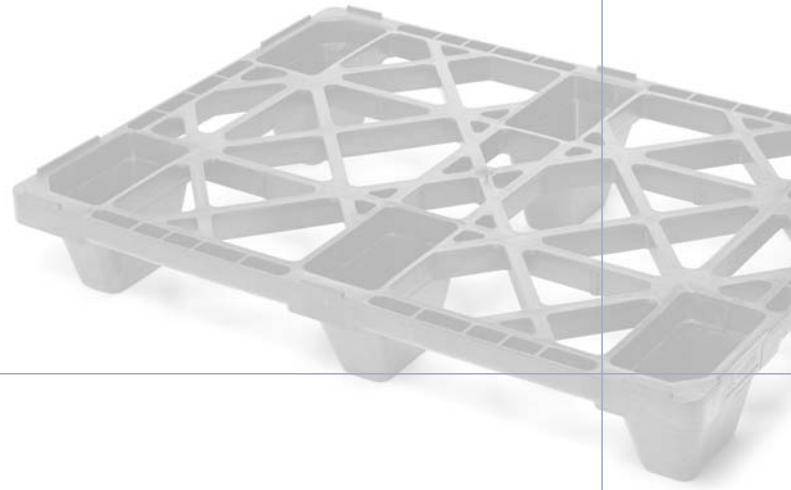
fax +1 410. 477. 3577

e-mail [service@nelsoncompany.com](mailto:service@nelsoncompany.com)

[www.nelsoncompany.com](http://www.nelsoncompany.com)

# CPP 200

## 32" x 24" Half Pallet

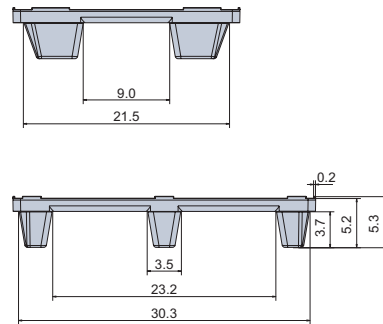
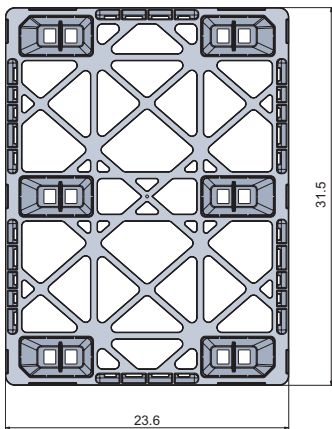


### CPP

CABKA meets the high standards for ISO 9001:2000. Our certified quality management encompasses not only product manufacturing, but customer service as well. In addition, CPP plastic pallets are regularly tested in accordance with relevant elements of the standard ISO 8611. All this guarantees that our quality products

meet the demands of the market and our customers. CABKA products are manufactured in North America, Chile, Germany, Spain and Israel, giving our customers, wherever they are, a crucial advantage to choose the shortest, fastest and cheapest route for getting product to market.

CABKA's wide range of plastic pallets provides solutions for a diverse array of applications. Through our development department, with our own tool designs and construction, we can meet even unusual requests from our customers. In every way, you profit from our decades of experience.



nominal sizes in inches

### Overview of Available Material Versions

CPP 200	Material	Load Capacity* <sup>1</sup> [lbs]			Weight* <sup>2</sup> [lbs]	
		Static	Dynamic	Racking		
Multi-Trip	PE, recycling material* <sup>4</sup> Details in kg:	5500	2200	—	7.5	
		2500	1000	—	3.5	
One-Way	ACM, recycling material Details in kg:	5500	2200	—	9.0	
		2500	1000	—	4.0	

\*<sup>1</sup> Guideline values are based both on experience and parts of test ISO 8611, which tests with evenly distributed loads at room temperature of 68°F (20°C). Varying data may result from different conditions of usage. Your specific requirements can be identified upon request. \*<sup>2</sup> The pallet dimensions and weight are variable. \*<sup>4</sup> Virgin PE material is also available, with equivalent load capacities and weight.

