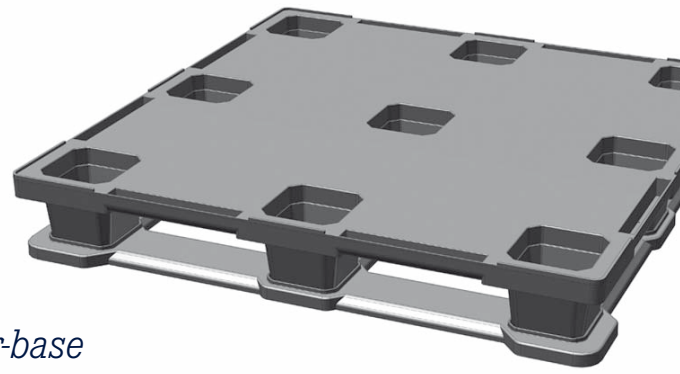


# CPP 426c

44 x 44



*Container plastic pallet 44" x 44" with closed deck and snap-on cruciform perimeter-base*

## Technical Data

Dimensions* <sup>1</sup>	44.0 x 44.0 x 6.4 in	1120 x 1120 x 163 mm
Weight* <sup>1</sup>	ACM 38.5 lbs   PE 33.0 lbs	ACM 17.5 kg   PE 15.0 kg
Load capacities* <sup>2</sup>		
Static	17600 lbs	8000 kg
Dynamic	2600 - 5300 lbs	1200 - 2400 kg
Racking	1300 lbs	600 kg
Bottom support	cruciform perimeter-base	
Entry	4-way	
Safety rim	0.2 in optional	5 mm optional
Nesting height	without skids 2.4 in 60 mm	

\*<sup>1</sup> The pallet dimensions and weight are variable. \*<sup>2</sup> Guideline values are based both on experience and parts of test ISO 8611, which tests with evenly distributed loads at room temperature (20°C). Varying data may result from different conditions of usage. Your specific requirements can be identified upon request. \*<sup>3</sup> Minimum quantity required. - We reserve the right to change any of the stated information without prior notice.

## Options

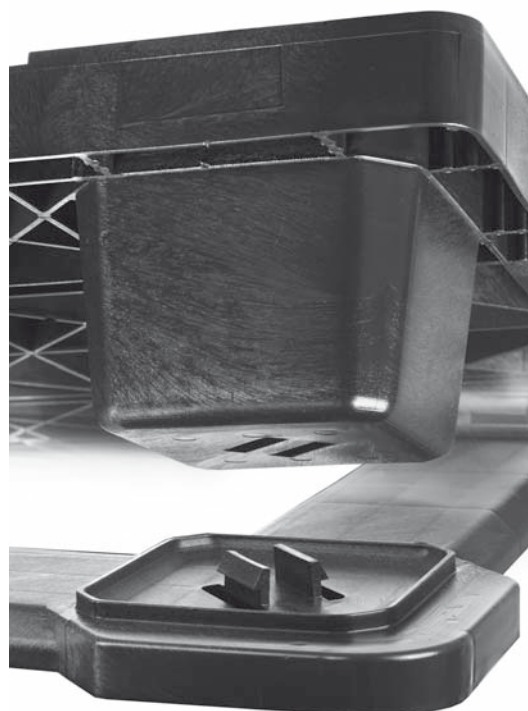
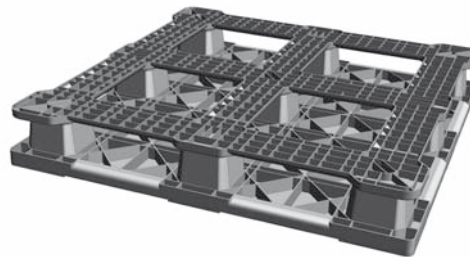
Material	Color
ACM, recycled material	black
PE, recycled material	black
PE, virgin material	grey

Individual marking\*<sup>3</sup>  
 Custom-made color (only virgin material)\*<sup>3</sup>  
 Separate delivery of skids – volume saving

Design without skids – see CPP 420c  
 Perforated top deck – see CPP 426

## Features

- > Cost effective
- > Footprint allows stable stacking of loaded pallets
- > Optimal container utilisation, no waste of cargo space
- > Resistant to insects, bacteria and fungi
- > Conforms to ISPM 15 regulation
- > Environmentally friendly product of 100% recycled plastic, completely recyclable



*Snap-on bottom skids enable block stacking and application in automated conveyor systems.*

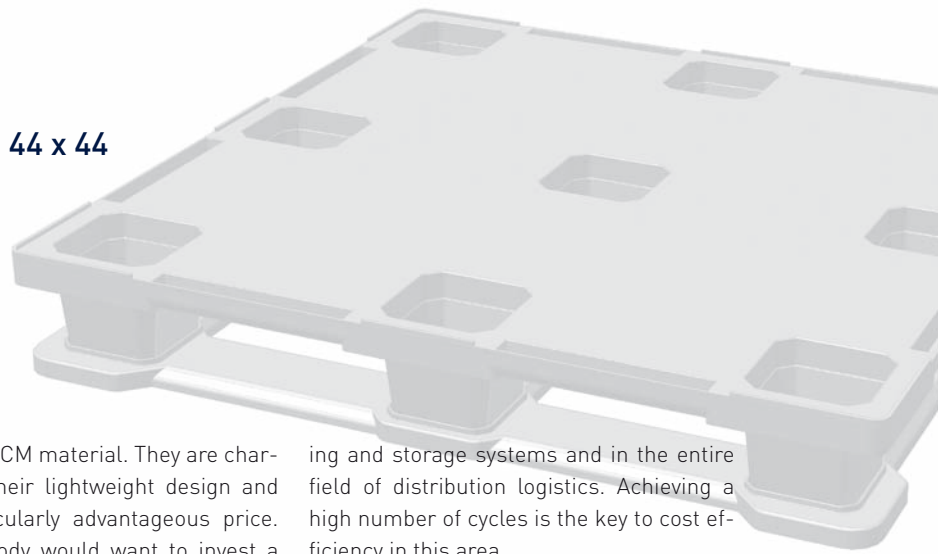


**CABKA**

**The Nelson Company**  
 phone +1410.477.3000, x. 118  
 fax +1410.477.3577  
 e-mail [service@nelsoncompany.com](mailto:service@nelsoncompany.com)  
[www.nelsoncompany.com](http://www.nelsoncompany.com)

# CPP 426c

44 x 44



## CPP Plastic Pallets

### Export pallets

Our Send & Forget™ export pallets enable us to offer a solution to export-oriented companies which is both economically efficient and environmentally friendly. Increasingly integrated international commodity flows call for plastic pallets which provide a high added value to customers while meeting high environmental standards more than ever before.

Our export pallets are made using a spe-

cific recycled ACM material. They are characterized by their lightweight design and by their particularly advantageous price. Obviously, nobody would want to invest a high amount of money in load carriers especially when exporting goods.

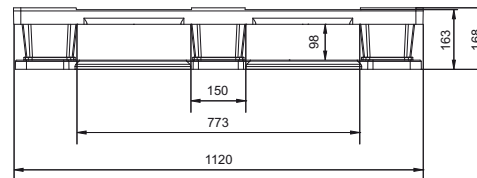
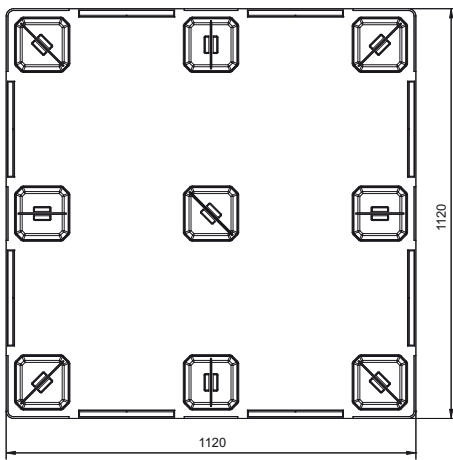
### Logistic pallets

Our logistic pallets are sturdy long-life storage aids which have stood the test in high-bay warehouses, automated convey-

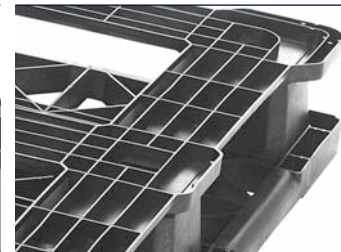
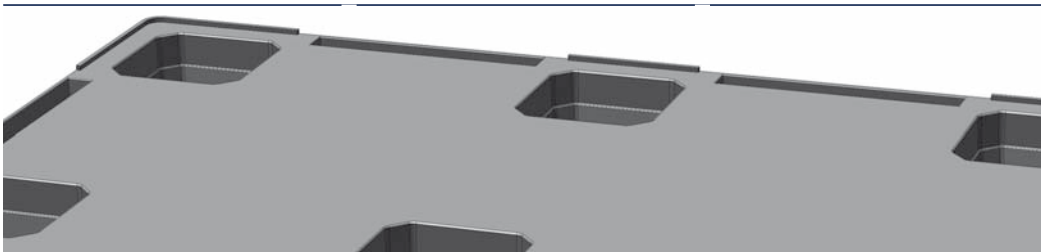
ing and storage systems and in the entire field of distribution logistics. Achieving a high number of cycles is the key to cost efficiency in this area.

Depending on the needs of every application, CABKA logistics pallets are manufactured using either type-specific PE recycled material or virgin material. In most cases, our recycled plastic material will provide an alternative which is both economically efficient and environmentally sound.

## Technical Drawing



nominal sizes in inches/mm



CABKA

www.cabka.com