

# CPP 736

## 48" x 40" Industrial Pallet



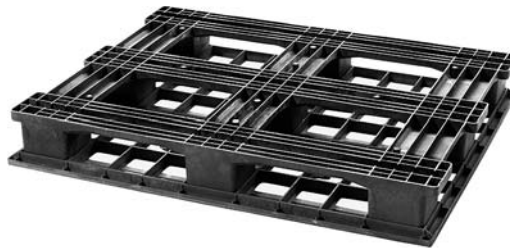
# Send & Forget

### Technical Data:

#### CPP 736 ACM - Heavy-Duty

Load Capacity* <sup>1</sup>	Dimensions* <sup>2</sup>	48" x 40" x 5.7"
Static 7500 lbs	Weight* <sup>2</sup>	44.0 lbs
Dynamic 3500 lbs	Material	ACM, recycled material
Racking 2200 lbs	Color	black
	Bottom Support	cruciform perimeter-base
	Entry	4-way (only forklift)
	Safety Rim	—
	Nesting Height	—

\*<sup>1</sup> Guideline values are based both on experience and parts of test ISO 8611, which tests with evenly distributed loads at room temperature of 68°F (20°C). Varying data may result from different conditions of usage. Your specific requirements can be identified upon request. \*<sup>2</sup> The pallet dimensions and weight are variable.



Locking rings on upper deck for stacking empty pallets.

### One-Way - ACM



#### Strong one-way pallet with cruciform perimeter-base

- > Cost effective
- > Very stable
- > Footprint allows stable stacking of loaded pallets
- > Clean pallet devoid of spaces which harbor liquids, dust or other debris
- > Easy and safe to handle
- > Locking rings on upper deck for stacking empty pallets
- > Resistant to insects, bacteria and fungi
- > Conforms to ISPM 15 regulation
- > Environmentally friendly product of 100% recycled plastic, completely recyclable

#### > Options

Individual marking\*<sup>3</sup>

\*<sup>3</sup> minimum quantity required

#### > Additional Material Versions

Multi-trip pallet made of PE virgin material and PE recycled material

We reserve the right to change any of the stated information without prior notice.



Distributor:

**The Nelson Company**

phone +1 410. 477. 3000, x. 118

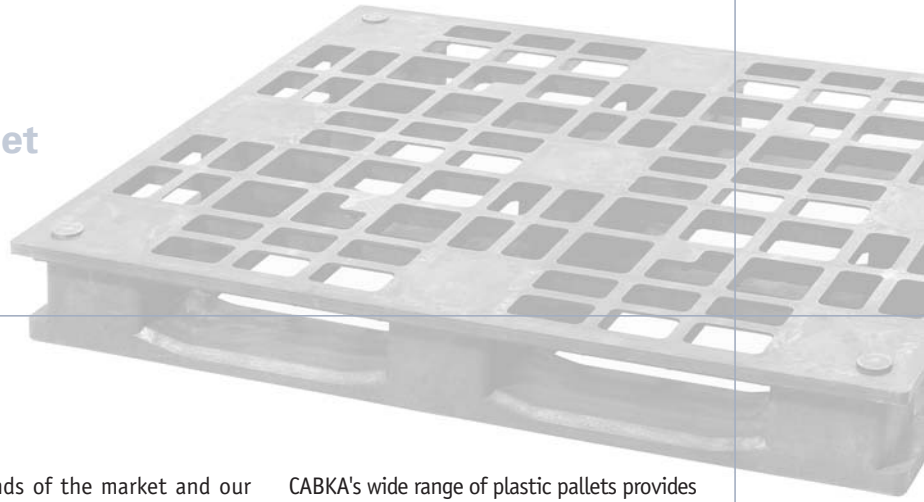
fax +1 410. 477. 3577

e-mail [service@nelsoncompany.com](mailto:service@nelsoncompany.com)

[www.nelsoncompany.com](http://www.nelsoncompany.com)

# CPP 736

## 48" x 40" Industrial Pallet

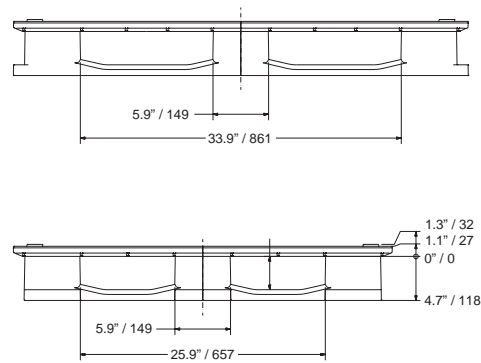
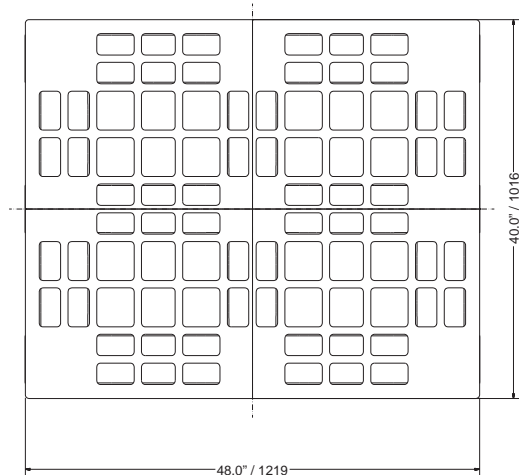


### CPP

CABKA meets the high standards for ISO 9001:2000. Our certified quality management encompasses not only product manufacturing, but customer service as well. In addition, CPP plastic pallets are regularly tested in accordance with relevant elements of the standard ISO 8611. All this guarantees that our quality products

meet the demands of the market and our customers. CABKA products are manufactured in North America, Chile, Germany, Spain and Israel, giving our customers, wherever they are, a crucial advantage to choose the shortest, fastest and cheapest route for getting product to market.

CABKA's wide range of plastic pallets provides solutions for a diverse array of applications. Through our development department, with our own tool designs and construction, we can meet even unusual requests from our customers. In every way, you profit from our decades of experience.



nominal sizes in inches/mm

### Overview of Available Material Versions

CPP 736	Material	Load Capacity* <sup>1</sup> [lbs]			Weight* <sup>2</sup> [lbs]	
		Static	Dynamic	Racking		
Multi-Trip	PE, recycling material* <sup>4</sup> Details in kg:	7500	3500	2200	40.0	
		3400	1600	1000	18.0	
One-Way	ACM, recycling material Details in kg:	7500	3500	2200	44.0	
		3400	1600	1000	20.0	

\*<sup>1</sup> Guideline values are based both on experience and parts of test ISO 8611, which tests with evenly distributed loads at room temperature of 68°F (20°C). Varying data may result from different conditions of usage. Your specific requirements can be identified upon request. \*<sup>2</sup> The pallet dimensions and weight are variable. \*<sup>4</sup> Virgin PE material is also available, with equivalent load capacities and weight.

