

# PG-4840-N-107US

## 48x40 (Standard) Plastic Industrial Pallet



### Technical Data

Dimensions 48x40x5.1 inches  
Weight 11.5 lbs

#### Load Capacities

Static 3300 lbs  
Dynamic 2100 lbs  
Racking --

Entry 4-way  
Pallets per Stack 79  
Truckload Qty 2370

Available in Truckload or LTL quantities. Minimum quantity required. We reserve the right to change any stated information without prior notice. Not responsible for typographical errors.

### Handling Data

**Nestable**  
Yes

**Reusability**  
One-Way & Multi-Trip

**ISPM-15 Exempt**  
Yes

**Stackable**  
No

**Destination**  
Export & Captive

**Food Grade**  
Yes, non-FDA

**Rackable**  
No

**Airfreight**  
Yes

**Pharmaceutical**  
Yes



### Materials and Colors

**Condition**  
New

**Material** HDPE/PP (Recycled) **Color** Black

(High-Density Polyethylene/Polypropylene)

### Deck Specs

**Top Deck**  
Open

**Bottom Deck**  
9 Feet - Nesting

#### Available Options:

Closed Top Deck  
3-Runner Bottom Deck (for stacking unit loads)  
No perimeter lip = PG-4840-N-107USNL

### Features

- Available in food-grade FDA material
- Safety Rim
- Designed to easily secure wrapping
- Nesting saves storage & shipping costs
- Easy-to-clean hygienic design
- Suitable for packaged food items  
(not approved for direct food contact)
- Impervious to acids, fats, solvents and odors
- Resists water absorption & bacteria growth
- Inert to infestation, mold and mildew
- Consistently dimensionally accurate
- Exempt from ISPM 15 shipping regulations

# Nelson™

The Nelson Company  
(443) 649-5294

[plastic@NelsonCompany.com](mailto:plastic@NelsonCompany.com)  
[www.NelsonCompany.com](http://www.NelsonCompany.com)  
[www.NelsonTechCenter.com](http://www.NelsonTechCenter.com)

Spec Sheet Generated On: 1/28/2023

Specifications subject to change without notice.

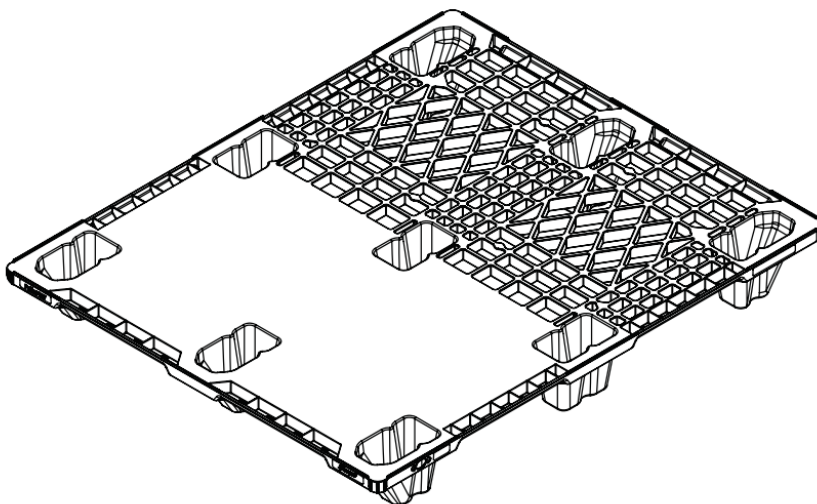
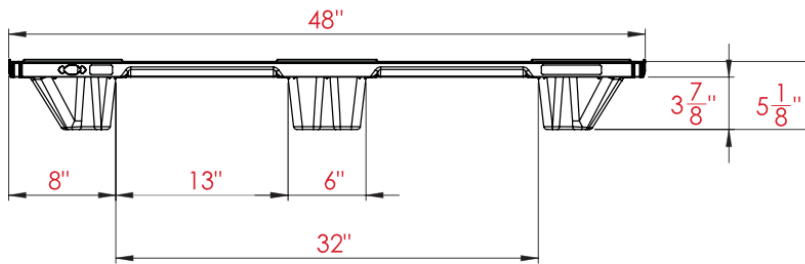
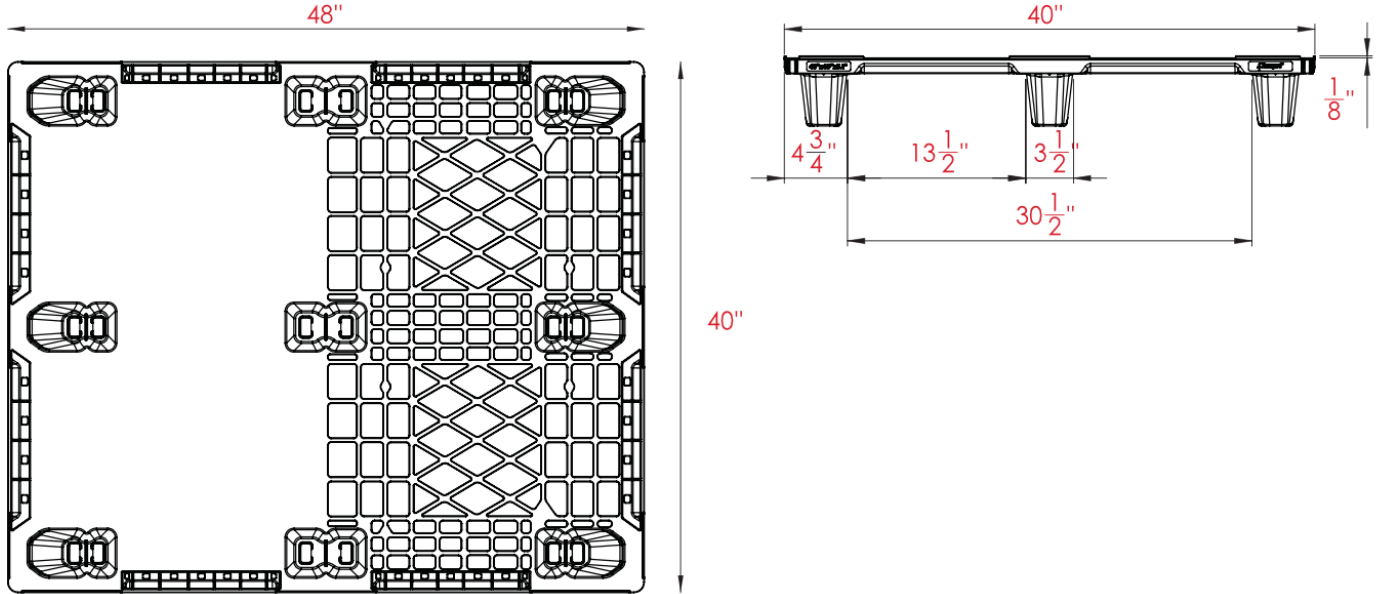
Contents of this document are presented for general informational purposes only. Technical data are guideline values based on experience and tests under defined conditions. The data may vary based on intended use, product features, raw materials used and environmental influences. Nothing in this document shall be construed as warranties or guarantees, express or implied, regarding the products or their use, application, performance or otherwise.

# PG-4840-N-107US

48x40 (Standard)  
Plastic Industrial Pallet



## Technical Drawings



Tech Sheet Generated On: 1/28/2023  
Specifications subject to change without notice.  
Contents of this document are presented for general informational purposes only. Technical data are guideline values based on experience and tests under defined conditions. The data may vary based on intended use, product features, raw materials used and environmental influences. Nothing in this document shall be construed as warranties or guarantees, express or implied, regarding the products or their use, application, performance or otherwise.

**Nelson**<sup>TM</sup>

The Nelson Company  
(443) 649-5294

[plastic@NelsonCompany.com](mailto:plastic@NelsonCompany.com)

[www.NelsonCompany.com](http://www.NelsonCompany.com)

[www.NelsonTechCenter.com](http://www.NelsonTechCenter.com)