

# PG-4832-N-805CD

## 48x32 (Euro) Plastic Industrial Pallet



### Technical Data

Dimensions 47.2x31.5x5.1 inches (1200x800x130 mm)  
Weight 12 lbs

#### Load Capacities

Static 3968 lbs  
Dynamic 1984 lbs  
Racking --

Entry 4-way  
Truckload Qty 3002  
Stack TL 79

TL (truckload) quantities are approximate and may vary by transport equipment or other factors.

### Materials and Colors

**Condition**  
New

**Material**  
HDPE/PP (Recycled)  
HDPE/PP (Virgin\*)

**Color**  
Black  
Gray/Custom\*

(High-Density Polyethylene/Polypropylene)

\*Custom colors and markings available in virgin material. (Minimum quantities required.)

### Deck Specs

**Top Deck**  
Closed

**Bottom Deck**  
9 Feet - Nesting

#### Available Options:

3 Runners  
PG-4832-N-805 - Open Deck  
Intermittent deck rim, full rim or no rim

### Features

- Available in virgin materials (blue)
- Designed to easily secure wrapping
- Standard size used across EU
- Design is popular in rail freight applications
- Nesting saves storage & shipping costs
- Low-cost Plastic Pallet
- Easy-to-clean hygienic design
- Suitable for packaged food items  
(not approved for direct food contact)
- Impervious to acids, fats, solvents and odors
- Resists water absorption & bacteria growth
- Inert to infestation, mold and mildew
- Consistently dimensionally accurate
- Exempt from ISPM 15 shipping regulations

### Handling Data

**Nestable**  
Yes

**Reusability**  
One-Way & Multi-Trip

**ISPM-15 Exempt**  
Yes

**Stackable**  
No

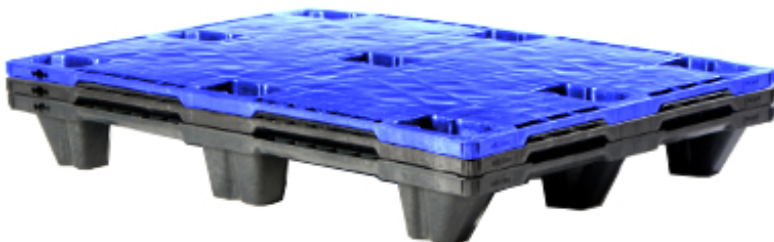
**Destination**  
Captive & Export

**Food Grade**  
Yes, non-FDA

**Rackable**  
No

**Airfreight**  
Yes

**Pharmaceutical**  
Yes



Spec Sheet Generated On: 6/8/2023

Specs subject to change without notice. Provided for informational purposes only. Technical data are guideline values and may vary based on intended use, features, raw materials and environment. Nothing shall be construed as warranties or guarantees, express or implied, regarding products or their use, application, performance or otherwise.

# Nelson™

The Nelson Company  
(443) 649-5294

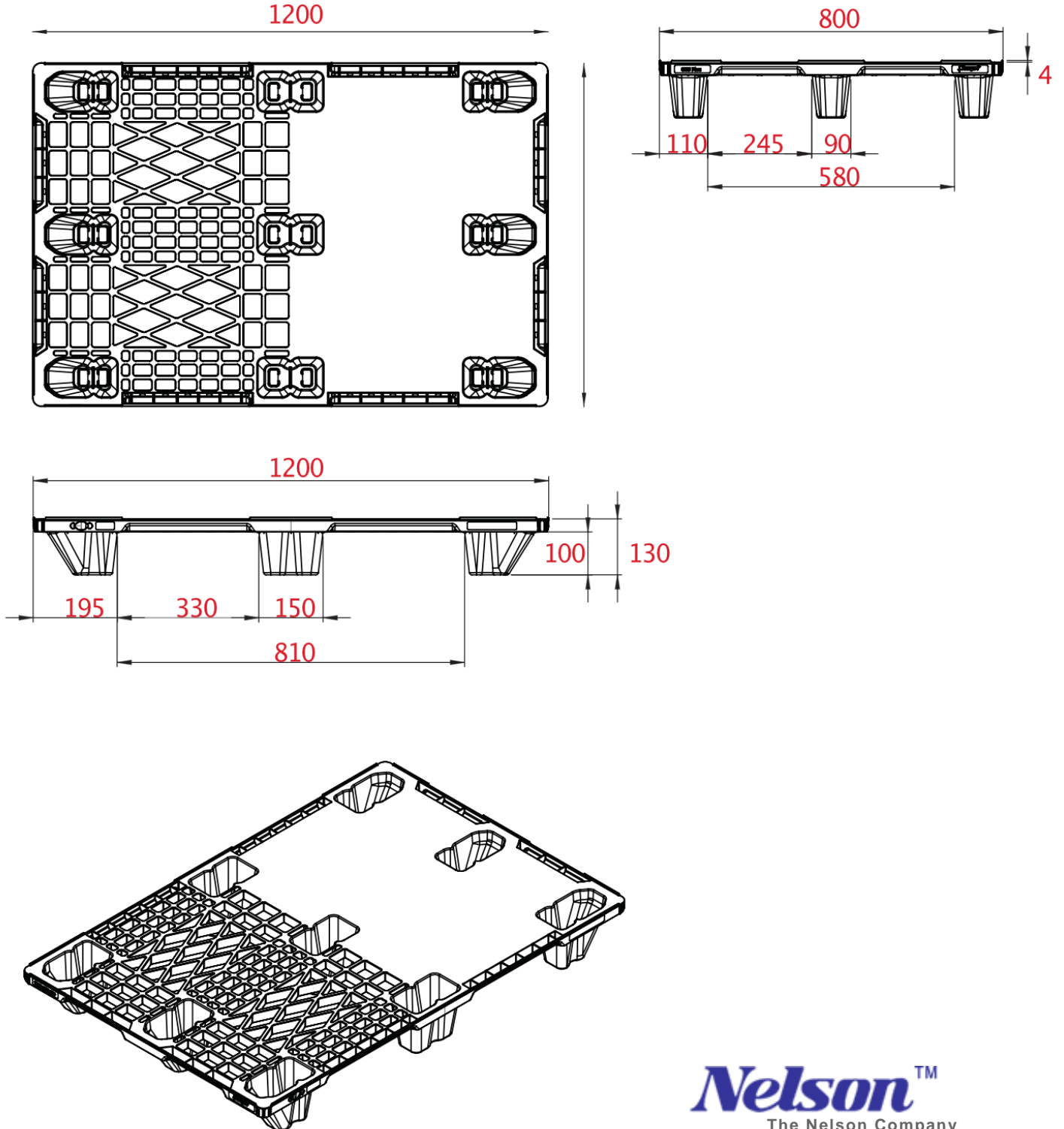
[plastic@NelsonCompany.com](mailto:plastic@NelsonCompany.com)  
[www.NelsonCompany.com](http://www.NelsonCompany.com)  
[www.NelsonTechCenter.com](http://www.NelsonTechCenter.com)

# PG-4832-N-805CD

48x32 (Euro)  
Plastic Industrial Pallet



## Technical Drawings



Tech Sheet Generated On: 6/8/2023  
Specs subject to change without notice. Provided for informational purposes only. Technical data are guideline values and may vary based on intended use, features, raw materials and environment. Nothing shall be construed as warranties or guarantees, express or implied, regarding products or their use, application, performance or otherwise.

**Nelson**<sup>TM</sup>

The Nelson Company  
(443) 649-5294

[plastic@NelsonCompany.com](mailto:plastic@NelsonCompany.com)

[www.NelsonCompany.com](http://www.NelsonCompany.com)

[www.NelsonTechCenter.com](http://www.NelsonTechCenter.com)