

PG-1210-3R-157MM45LBCD

48x40 (Standard) Plastic Industrial Pallet



Technical Data

Dimensions 47.25x39.40x6.2 inches (1200x1000x157 mm)
Weight 44.5 lbs

Load Capacities

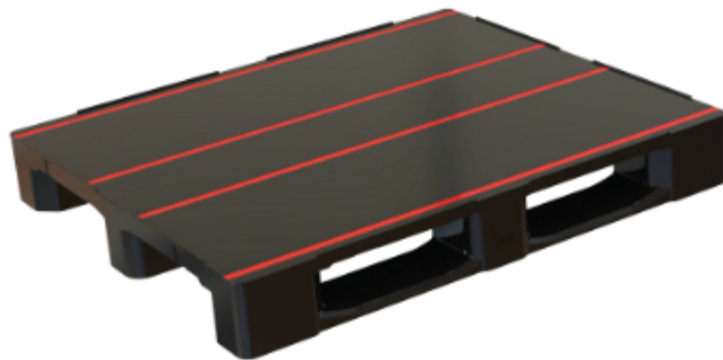
Static 11023 lbs
Dynamic 3307 lbs
Racking 3307 lbs

Entry 4-way
Truckload Qty 510
Stack TL / LTL 17 / 15

TL (truckload) and LTL (less-than-truckload) quantities are approximate and may vary by transport equipment or other factors.

Handling Data

Nestable No	Reusability One-Way & Multi-Trip	ISPM-15 Exempt Yes
Stackable Yes	Destination Captive & Export	Food Grade Yes, non-FDA
Rackable Yes	Airfreight Yes	Pharmaceutical Yes



Materials and Colors

Condition
New

Material HDPP
Color Black

(High-Density Polypropylene)

Deck Specs

Top Deck
Closed

Bottom Deck
3 Runner - Unidirectional Long Side

Options
Rubber anti-slip gems or strips
Safety Rims

Features

- Allows for safe double stacking
- Easy-to-clean hygienic design
- Suitable for packaged food items
(not approved for direct food contact)
- Impervious to acids, fats, solvents and odors
- Resists water absorption & bacteria growth
- Inert to infestation, mold and mildew
- Consistently dimensionally accurate
- Exempt from ISPM 15 shipping regulations

NelsonTM

The Nelson Company

(443) 649-5294

plastic@NelsonCompany.com

www.NelsonCompany.com

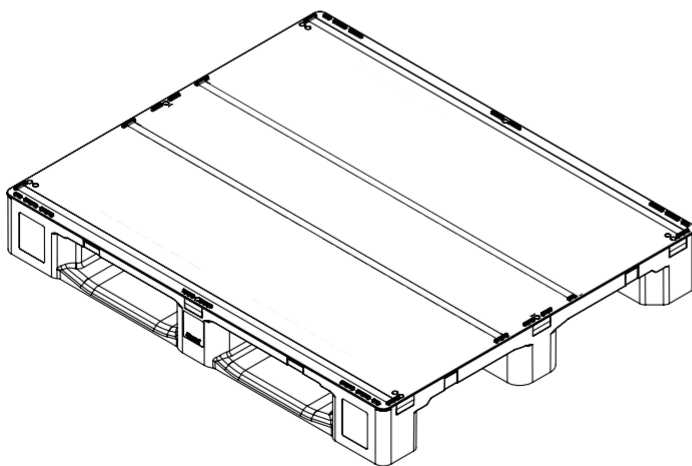
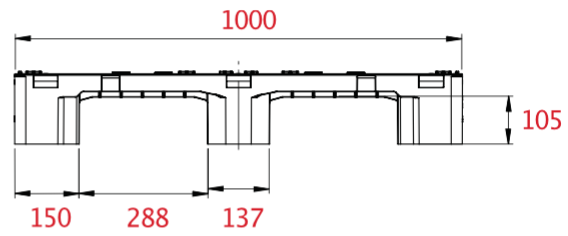
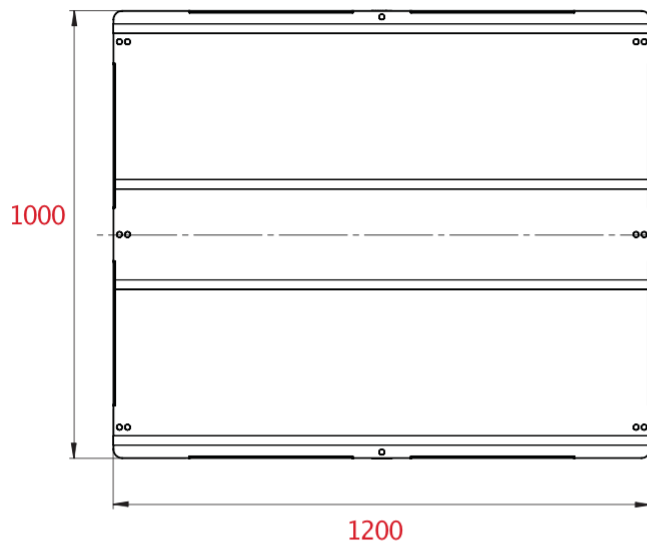
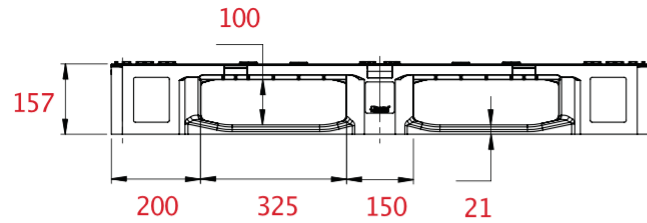
www.NelsonTechCenter.com

PG-1210-3R-157MM45LBCD

48x40 (Standard)
Plastic Industrial Pallet



Technical Drawings



NelsonTM

The Nelson Company

(443) 649-5294

plastic@NelsonCompany.com

www.NelsonCompany.com

www.NelsonTechCenter.com