

CPP200/PE

32x24 (Half-Euro) Plastic Industrial Pallet



Technical Data

Dimensions 31.5x23.6x5.1 inches (800x600x130 mm)
Weight 7.5 lbs

Load Capacities

Static 5500 lbs
Dynamic 2200 lbs
Racking --

Entry 4-way
Pallets per Stack 60
Truckload Qty 4560

Available in Truckload or LTL quantities. Minimum quantity required. We reserve the right to change any stated information without prior notice. Not responsible for typographical errors.

Materials and Colors

Condition
New

Material
HDPE/PP (Recycled)
HDPE/PP (Virgin*)

Color
Black
Gray/Custom*

(High-Density Polyethylene/Polypropylene)

*Custom colors and markings available in virgin material. (Minimum quantities required.)

Deck Specs

Top Deck
Open

Bottom Deck
6 Feet - Nesting

Features

- Great for POS or retail aisle displays
- Designed for use in International applications
- Nesting saves storage & shipping costs
- Low-cost Plastic Pallet
- Easy-to-clean hygienic design
- Suitable for packaged food items
(not approved for direct food contact)
- Impervious to acids, fats, solvents and odors
- Resists water absorption & bacteria growth
- Inert to infestation, mold and mildew
- Consistently dimensionally accurate
- Exempt from ISPM 15 shipping regulations

Handling Data

Nestable Yes
Reusability One-Way & Multi-Trip
ISPM-15 Exempt Yes

Stackable No
Destination Captive & Export
Food Grade Yes, non-FDA

Rackable No
Airfreight Yes
Pharmaceutical Yes



Spec Sheet Generated On: 1/28/2023
Specifications subject to change without notice.
Contents of this document are presented for general informational purposes only. Technical data are guideline values based on experience and tests under defined conditions. The data may vary based on intended use, product features, raw materials used and environmental influences. Nothing in this document shall be construed as warranties or guarantees, express or implied, regarding the products or their use, application, performance or otherwise.

Nelson™

The Nelson Company
(443) 649-5294

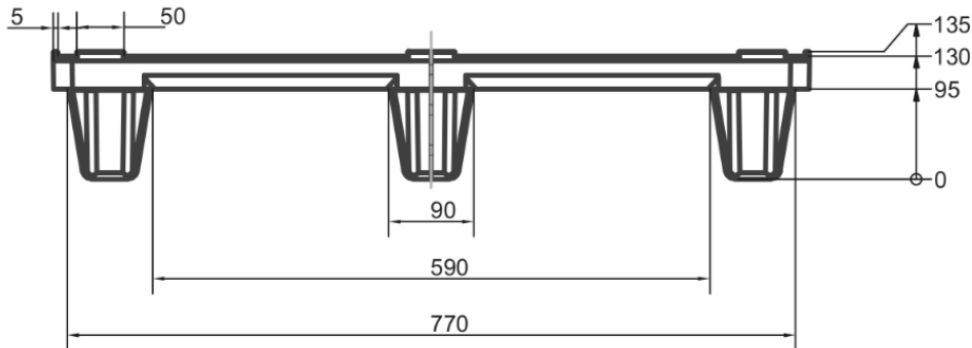
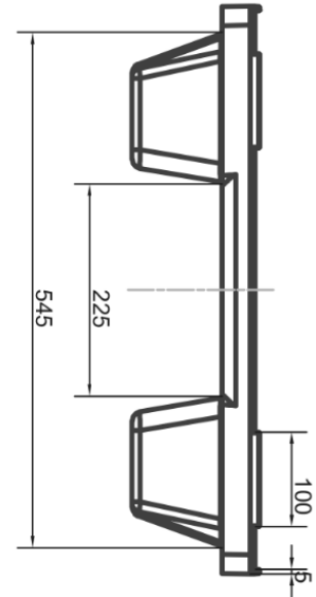
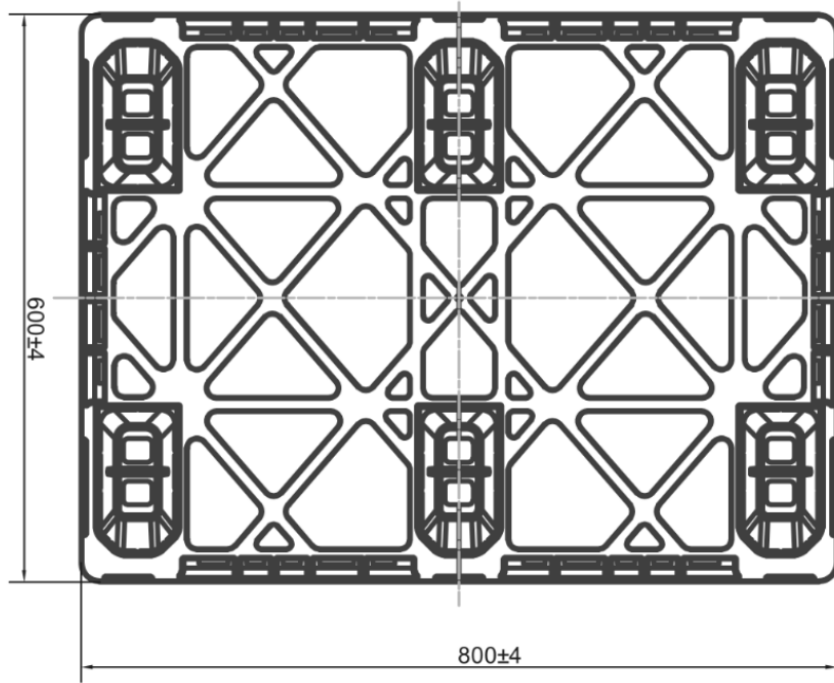
plastic@NelsonCompany.com
www.NelsonCompany.com
www.NelsonTechCenter.com

CPP200/PE

32x24 (Half-Euro)
Plastic Industrial Pallet



Technical Drawings



Tech Sheet Generated On: 1/28/2023
Specifications subject to change without notice.
Contents of this document are presented for general informational purposes only. Technical data are guideline values based on experience and tests under defined conditions. The data may vary based on intended use, product features, raw materials used and environmental influences. Nothing in this document shall be construed as warranties or guarantees, express or implied, regarding the products or their use, application, performance or otherwise.

NelsonTM

The Nelson Company
(443) 649-5294

plastic@NelsonCompany.com

www.NelsonCompany.com

www.NelsonTechCenter.com