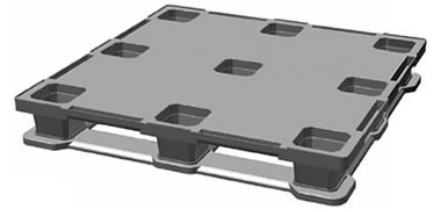


CPP426-C/ACM

44x44 (Square) Plastic Container Pallet



Technical Data

Dimensions 44.1x44.1x6.4 inches (1120x1120x163 mm)
Weight 38.5 lbs

Load Capacities

Static 17600 lbs
Dynamic 5300 lbs
Racking 1300 lbs

Entry 4-way
Pallets per Stack 17
Truckload Qty 476

Available in Truckload or LTL quantities. Minimum quantity required. We reserve the right to change any stated information without prior notice. Not responsible for typographical errors.

Handling Data

Nestable
No

Reusability
One-Way

ISPM-15 Exempt
Yes

Stackable
Yes

Destination
Export

Food Grade
No

Rackable
Yes

Airfreight
Yes

Pharmaceutical
Yes

Materials and Colors

Condition
New

Material
ACM (Recycled)

Color
Black

Deck Specs

Top Deck
Closed

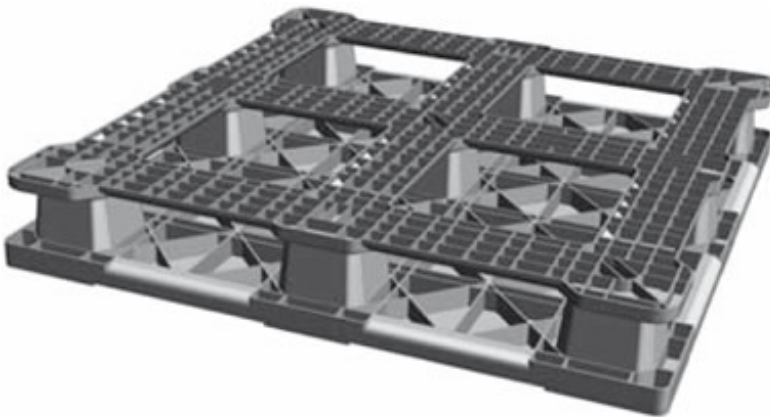
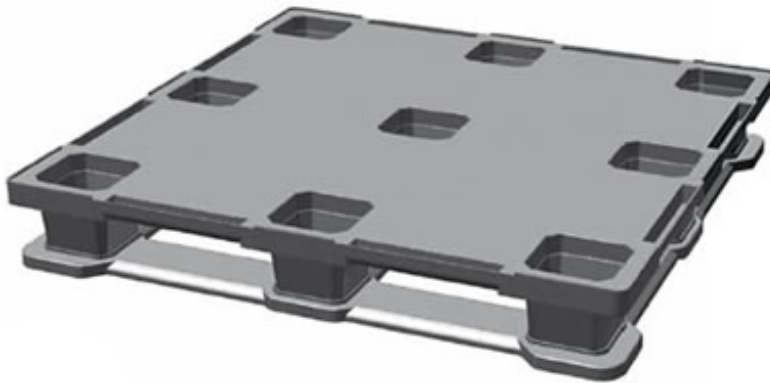
Bottom Deck
6 Runner - Perimeter+2 Cross
(cruciform perimeter base)

Available Options:
Open Top = CPP42#
Closed Top = CPP42#-C

CPP420 - No skids (nestable)
CPP426 - 6 Runner snap-on skids*
*Order with skids off for lower shipping cost

Features

- Allows for safe double stacking
- Cubes out shipping container to save costs
- Designed for Super Sack® and drum loads
- Impervious to acids, fats, solvents and odors
- Resists water absorption & bacteria growth
- Inert to infestation, mold and mildew
- Consistently dimensionally accurate
- Exempt from ISPM 15 shipping regulations



Spec Sheet Generated On: 1/28/2023

Specifications subject to change without notice.

Contents of this document are presented for general informational purposes only. Technical data are guideline values based on experience and tests under defined conditions. The data may vary based on intended use, product features, raw materials used and environmental influences. Nothing in this document shall be construed as warranties or guarantees, express or implied, regarding the products or their use, application, performance or otherwise.

Nelson™

The Nelson Company
(443) 649-5294

plastic@NelsonCompany.com
www.NelsonCompany.com
www.NelsonTechCenter.com